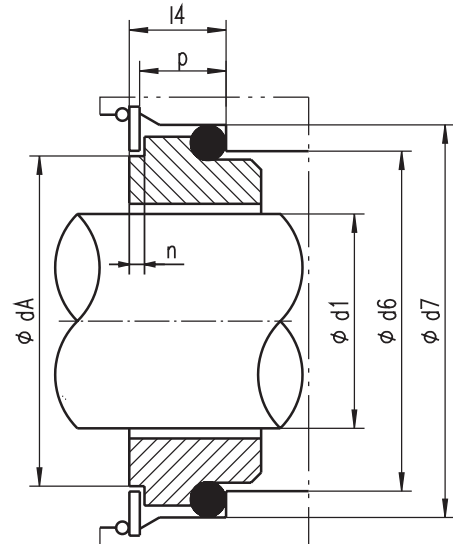


Gegenring Type B7



| Werkstoffe | | |
|------------|-----------|-------|
| Gegenring: | SIC | (U32) |
| | Kohle | (Z32) |
| | Chromguss | (Y1) |
| | Edelstahl | (E) |
| Elastomer: | Viton | (V) |
| | EPDM | (D) |
| | FEP | (V2) |

| d ₁ | d ₆ | d ₇ | d _A | l ₄ | p | n |
|----------------|----------------|----------------|----------------|----------------|------|-----|
| 10 | 15,5 | 19,2 | 17,0 | 6,6 | 5,0 | 2,0 |
| 12 | 17,5 | 21,6 | 19,0 | 5,6 | 5,0 | 1,0 |
| 14 | 20,5 | 24,6 | 21,5 | 5,6 | 5,0 | 1,0 |
| 15 | 20,5 | 24,6 | 21,5 | 6,6 | 5,0 | 2,0 |
| 16 | 22,0 | 28,0 | 24,0 | 7,5 | 6,5 | 1,5 |
| 18 | 24,0 | 30,0 | 27,5 | 8,0 | 6,5 | 2,0 |
| 20 | 29,5 | 35,0 | 32,0 | 7,5 | 6,5 | 1,5 |
| 22 | 29,5 | 35,0 | 32,0 | 7,5 | 6,5 | 1,5 |
| 24 | 32,0 | 38,0 | 35,0 | 7,5 | 6,5 | 1,5 |
| 25 | 32,0 | 38,0 | 35,0 | 7,5 | 6,5 | 1,5 |
| 28 | 36,0 | 42,0 | 38,0 | 9,0 | 6,5 | 3,0 |
| 30 | 39,2 | 45,0 | 42,0 | 10,5 | 7,5 | 3,5 |
| 32 | 42,2 | 48,0 | 45,0 | 10,5 | 6,5 | 4,5 |
| 33 | 44,2 | 50,0 | 46,0 | 11,0 | 6,5 | 5,0 |
| 35 | 46,2 | 52,0 | 48,0 | 11,0 | 6,5 | 5,0 |
| 38 | 49,2 | 55,0 | 52,0 | 10,3 | 6,5 | 4,3 |
| 40 | 52,2 | 58,0 | 55,0 | 10,8 | 6,5 | 4,8 |
| 43 | 53,3 | 62,0 | 59,0 | 12,0 | 10,0 | 2,5 |
| 45 | 55,3 | 64,0 | 59,0 | 11,6 | 10,0 | 2,2 |
| 48 | 59,7 | 68,4 | 65,0 | 11,6 | 10,0 | 2,2 |
| 50 | 60,8 | 69,3 | 64,0 | 11,6 | 10,0 | 2,2 |
| 53 | 63,8 | 72,3 | 69,0 | 12,3 | 10,3 | 2,5 |
| 55 | 66,5 | 75,4 | 71,0 | 13,3 | 11,3 | 2,5 |
| 58 | 69,5 | 78,4 | 75,5 | 13,3 | 10,3 | 3,5 |
| 60 | 71,5 | 80,4 | 75,0 | 13,3 | 11,3 | 2,5 |
| 65 | 76,5 | 85,4 | 81,5 | 13,0 | 10,3 | 3,2 |
| 68 | 82,7 | 91,5 | 87,0 | 13,7 | 10,5 | 3,7 |
| 70 | 83,0 | 92,0 | 87,0 | 13,0 | 9,8 | 3,7 |
| 75 | 90,2 | 99,0 | 91,0 | 14,0 | 11,3 | 3,2 |
| 80 | 95,2 | 104,0 | 100,0 | 15,0 | 11,3 | 4,7 |
| 85 | 100,2 | 109,0 | 102,0 | 15,0 | 10,8 | 4,5 |
| 90 | 105,2 | 114,0 | 110,0 | 15,0 | 12,8 | 3,0 |
| 95 | 111,6 | 120,3 | 116,0 | 16,0 | 12,8 | 4,0 |
| 100 | 114,5 | 123,3 | 119,0 | 16,0 | 12,8 | 4,0 |

Stand 06/07

Änderungen jederzeit vorbehalten



Robert-Bosch-Str. 12
49134 Wallenhorst

Tel.: 05407/81740
Fax: 05407/817420

fluiten@fluiten.de
www.fluiten.de